

AKABA

Xoko Collaborative



Collaborative stool with castors and writing pad.

Structure 4-star injected aluminium base, fixed height and swivelling.

Seat single-piece metal structure with 65kg/m³ CAL 117 injected polyurethane, fire retardant and free from cancer-causing chemicals.

Base 360° in 20mm stratified birch plywood.

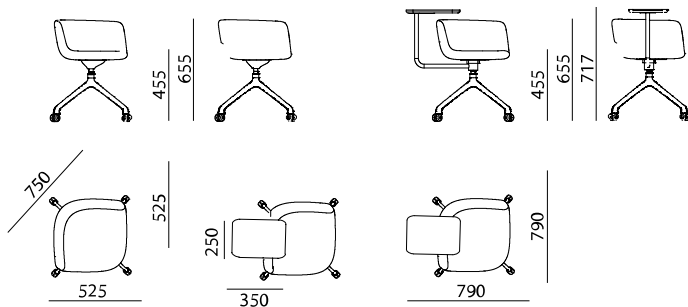
Castors hard or soft.

Metallic finishes epoxy/polyester paint with a thickness of 50-90 microns depending on the colour, ISO 2409 Gt 0 adhesion and ASTM 2794 impact 2.5 joules reverse & direct.

Upholstery see manufacturers' fabric specifications.

Measures

Xoko Collaborative



Specs

Product weight:

Xoko collaborative
8 Kg

Xoko collaborative with desk tray
10 Kg

Number of chairs per box:

1 Unit

Packaging information:

680x540x740 mm

Footage for upholstered versions (COM):

(for more than 1 unit contact factory)

1,2 ml / 16 feet

AKABA

Atallu kalea 14
20170 Usurbil (Gipuzkoa)
Spain

akaba@akaba.net
T +34 943 372 211
F +34 943 371 052