

## *Egoki Beam*

Wooden, stainless steel or metallic bench with and without backrest.

**Structure** in AP 02 cold rolled white sheet metal, thickness 2mm, machined by punching machine and formed by folding machine.

**Sides** in cast aluminum. Quality: AG3T.

### **Seat and back**

a) Cold rolled steel AP 02 thickness 2mm with perforated areas delimiting squares made in a punching machine. Backrest reinforced with cold rolled steel AP 02 thickness 1,5mm

b) AISI 304 stainless steel sheet, thickness 2mm, with perforated areas delimiting squares made in a punching machine. Backrest reinforced with 1.5mm thick stainless steel sheet.

c) Seat and back 3 mm thick plywood composed of cross sheets, glued and molded in a high frequency press and an aluminum mold. Surface treatment with refined sanding grain. Polyurethane topcoat and catalyst prepared with UV and anti-yellowing filters.

---

## ENVIRONMENTAL CERTIFICATES

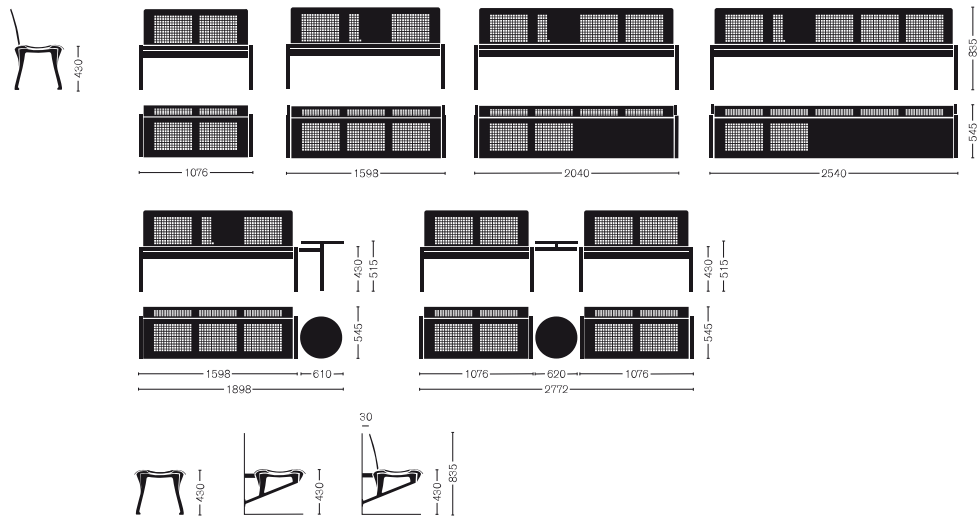
ISO 14006 Ecodesign.

EPD (Declaración medioambiental de producto, Environmental product declaration).

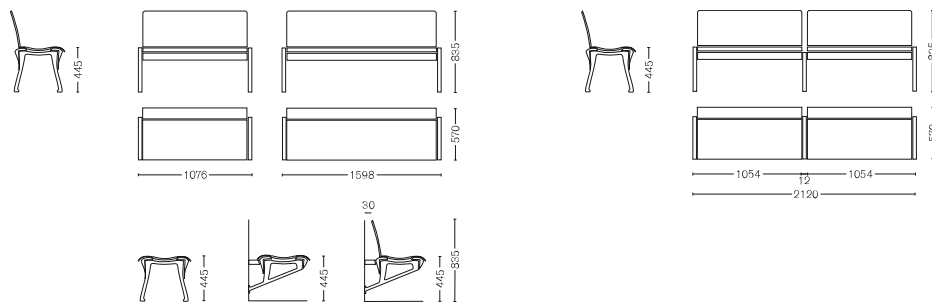
 Recyclable up to **97 %**.

## MEASURES

### EGOKI PERFORATED METAL

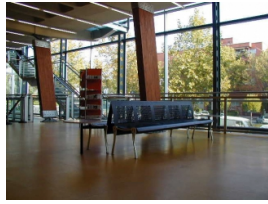


### EGOKI WOOD



---

## IMAGES



# AKABA

Atallu kalea 14  
20170 Usurbil (Gipuzkoa)  
Spain

akaba@akaba.net  
T +34 943 372 211  
F +34 943 371 052

© AKABA S.A. All rights reserved