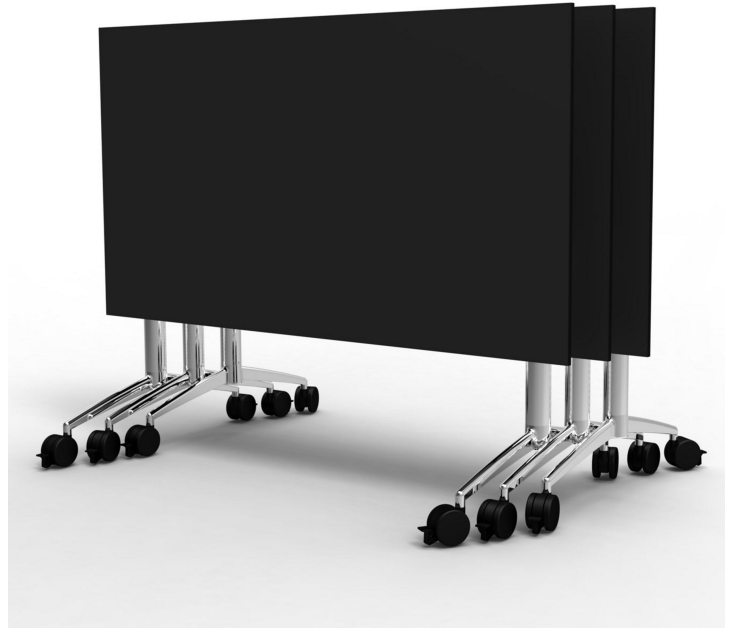


AKABA

Carma Folding



Folding table with castors.

Leg and joints high-pressure die-cast aluminium. Quality UNE L-38263. Painted or ball-polished.

Castors with brake.

Columns Ø60mm diameter, 2mm thick steel tube.

Profile structure U-shaped steel.

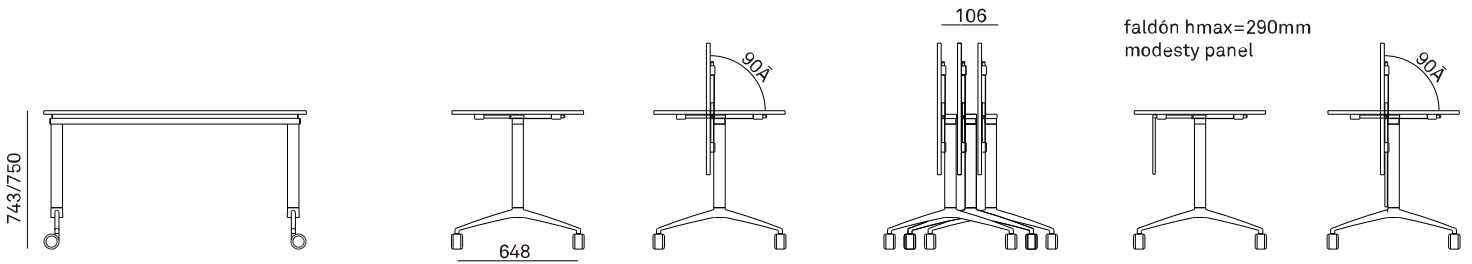
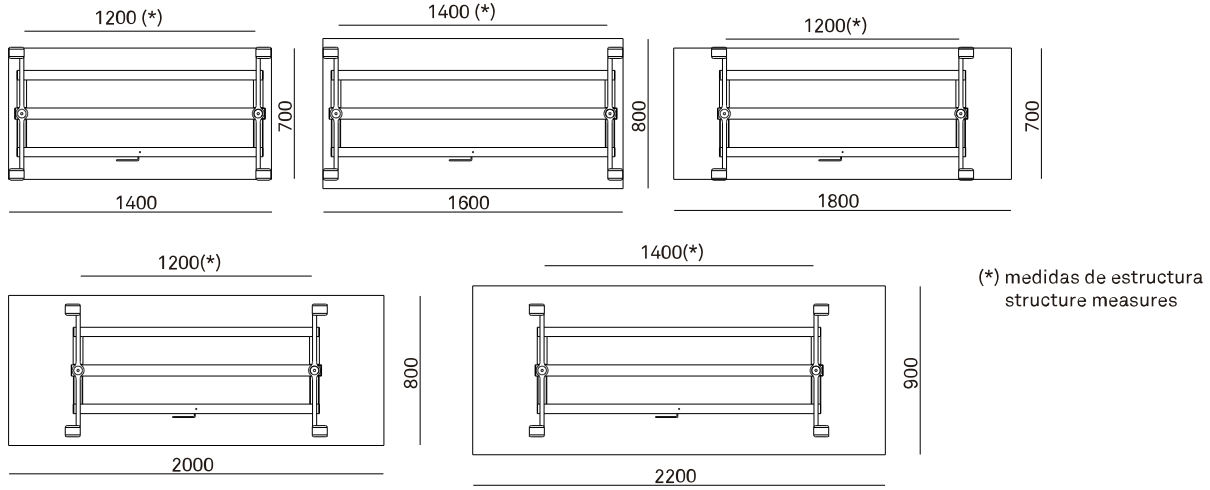
Mechanism shafts and steel cables connected to a lever.

Top 20mm melamine, 13mm compact resin or 20mm wood veneer.

Metallic finishes epoxy/polyester paint with a thickness of 50-90 microns depending on the colour, ISO 2409 Gt 0 adhesion and ASTM 2794 impact 2.5 joules reverse & direct or chrome finish, composition: 98.4% NI, 1.6% CR, 24.4 micron thickness and UNE EN ISO 2409-96 adhesion, Classification 0

Measures

Carma Folding



AKABA

Atallu kalea 14
20170 Usurbil (Gipuzkoa)
Spain

akaba@akaba.net
T +34 943 372 211
F +34 943 371 052