

# AKABA

## Branka



---

Stackable chair in polypropylene or wood with or without arms. Option of upholstered seat only or upholstered seat and back.

**Structure** 2mm steel profile. L-2630 aluminium back rests.

**Seat, back**

- a) 100% polypropylene with antistatic additives.
- b) 9-layer beech plywood moulded in a high-frequency press.

**Arms**

- a) 70% polypropylene + 30% fiberglass.
- b) In L-2630 aluminium.

**Foam** seat cushion with 35 kg/m<sup>3</sup> density and 15mm thickness; foam back with cushion 60kg/m<sup>3</sup> density and 5mm thickness; glued using eco-friendly waterborne adhesive.

**Trim and upholstery** protector in 100% propylene beneath the seat.

**Glides** 100% polypropylene.

**Metallic finishes** epoxy/polyester paint with a thickness of 50-90 microns depending on the colour, ISO 2409 Gt 0 adhesion and ASTM 2794 impact 2.5 joules reverse & direct or chrome finish, composition: 98.4% Ni, 1.6% CR, 24.4 micron thickness and UNE EN ISO 2409-96 adhesion, Classification 0

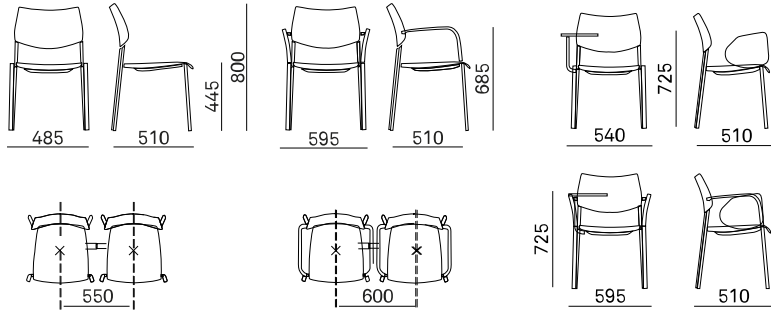
**Finishes** stained with matt acrylic varnish with UV filter available in different options.

**Upholstery** seat only, or upholstered seat and back. See manufacturers' fabric specifications.

# Measures

---

## Branka



## Specs

---

### Product weight:

Branka without arms  
7,1 kg

Branka with arms  
7,3 kg

### Number of stackable chairs:

10 chairs  
14 chairs in trolley

### Footage for upholstered versions (COM):

(for more than 1 unit contact factory)

Seat 0,64 lm / 11 feet  
Fully 0,66 lm / 12 feet

### Packaging information:

610x730x1080 mm

### Number of chairs per box:

4

---

# AKABA

Atallu kalea 14  
20170 Usurbil (Gipuzkoa)  
Spain

akaba@akaba.net  
T +34 943 372 211  
F +34 943 371 052