

# AKABA



## *Askı Round Table*

H750 - H950 - H1050

Ecodesigned central column tables optimized to obtain the greatest resistance minimizing the material used in each version, thereby avoiding additional unnecessary material. A wide range of dimensions, from 600mm to 1600mm in several heights. All sizes are prepared for electrification.

**Base** Square or round in S-275 grade steel in several dimensions depending on the top size. Bevelled edges and smoothed surfaces to ensure the optimal adhesion to the paint. Variable widths of sheet from 5mm to 16mm. Powder coated finish. Base prepared for electrification exit.

**Glides** Robust polyamide screwed glides. Good slip, high durability and floor protection.

**Column** Cylindric steel tube from diameter Ø60mm diameter to Ø100mm diameter, 2mm thick. S-275 grade available in several heights. High precision laser tube cutting. Powder coated finish.

**Metallic finishes** epoxy/polyester paint with a thickness of 50-90 microns depending on the colour, ISO 2409 Gt 0 adhesion and ASTM 2794 impact 2.5 joules reverse & direct or chrome finish, composition: 98.4% NI, 1.6% CR, 24.4 micron thickness and UNE EN ISO 2409-96 adhesion, Classification 0

**Electrification**, 2 available types. Electrification with 2USB or electrification with 1 electrical outlet + 1 USB A and C.

**Top** 19mm melamine, 12mm compact resin, 20mm fenix, 19mm bevelled plywood or 19 mm wood veneer.

---

### ENVIRONMENTAL CERTIFICATES

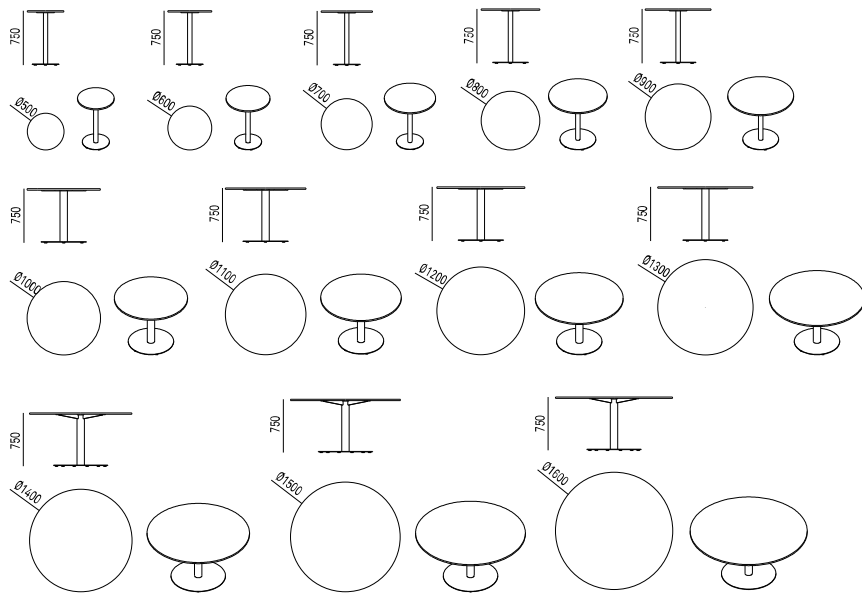
ISO 14006 Ecodesign.

EPD (Declaración medioambiental de producto, Environmental product declaration).

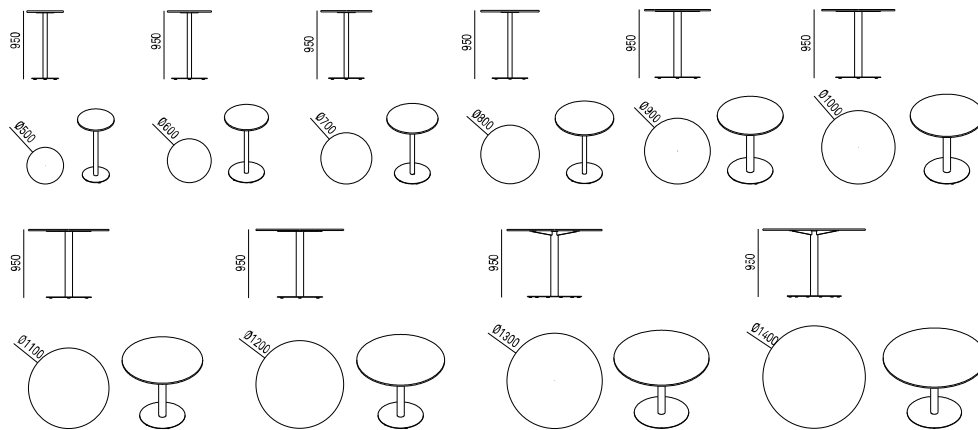
 Recyclable up to **100 %**.

## MEASURES

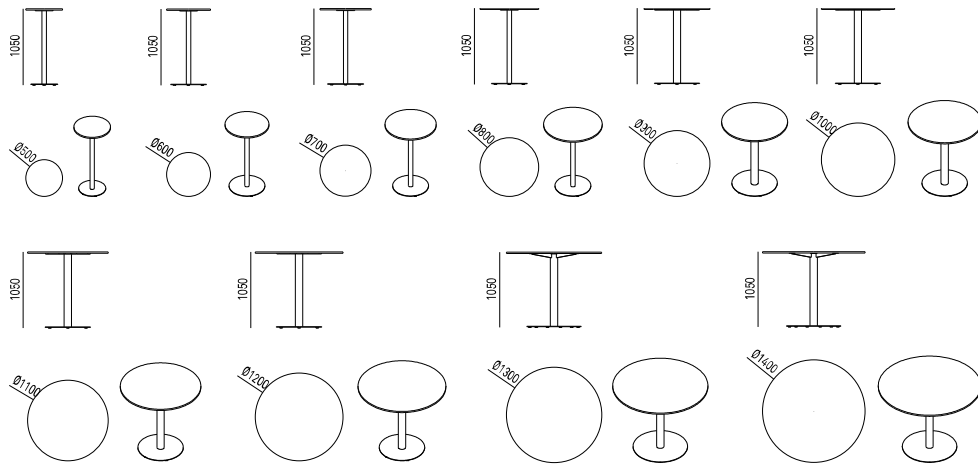
### ASKI ROUND TABLE H750



### ASKI ROUND TABLE H950



### ASKI ROUND TABLE H1050



# AKABA

Atallu kalea 14  
20170 Usurbil (Gipuzkoa)  
Spain

akaba@akaba.net  
T +34 943 372 211  
F +34 943 371 052

© AKABA S.A. All rights reserved